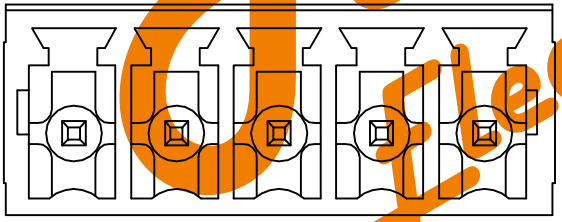
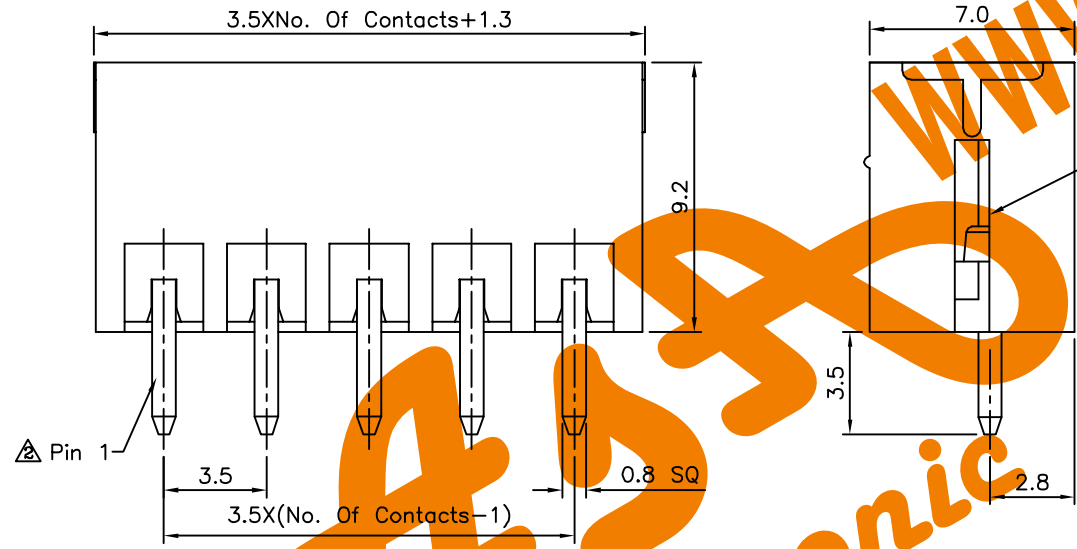


Recommended P.C.B. Layout

△ SPECIFICATION

Current Rating:12 Amp/Way Max.
 Voltage Rating:300V AC
 Withstanding Voltage:2500V AC For 1 Minute
 Test Time=60 Sec/1 PCS
 Operation Temperature:-40°C~+105°C
 Soldering Reliability:Test Temperature=250°C±10°C
 5 Seconds Max.
 Insulator Body(Housing):Polyamide+G.F.(UL94V-0)
 ,Green
 Solder Pin:Copper Alloy,Tin Plated
 RoHS Compliant



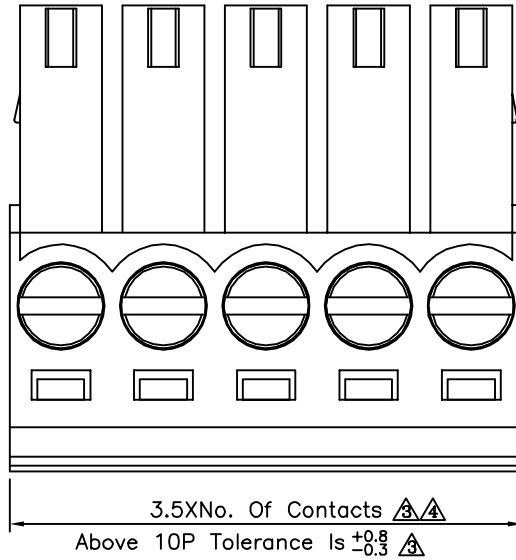
△△

AsA Electronic
 WWW.AsA-Elec.com
 AsA Electronic Co.
 Tel : (+98) 21 66 73 56 82 Mob : (+98) 912 03 161 02

DRAWING No.		APPROVED BY		UNLESS OTHERWISE SPECIFIED TOLERANCES ARE X. ±0.50 .X ±0.30 .XX ±0.20 ANG. ±1°	△ A4	Modify Data	HZF	05/28/2012	
13747		EMILY			△ A3	Modify Data	HZF	11/23/2011	
		CHECKED BY			HZF		△ A2	Add Pin 1	HZF
		DRAWING BY		GAO		△ A1	Modify Data	HZF	10/14/2011
SCALE	NONE	REV.	A4	UNIT	mm	NO.REV.	REVISIONS	CHK	DATE



△ A4	Modify Data	HZF	05/28/2012
△ A3	Modify Data	HZF	11/23/2011
△ A2	Add Pin 1	HZF	11/22/2011
△ A1	Modify Data	HZF	10/14/2011
△ A0	NEW RELEASE	HZF	04/07/2009
NO.REV.	REVISIONS	CHK	DATE

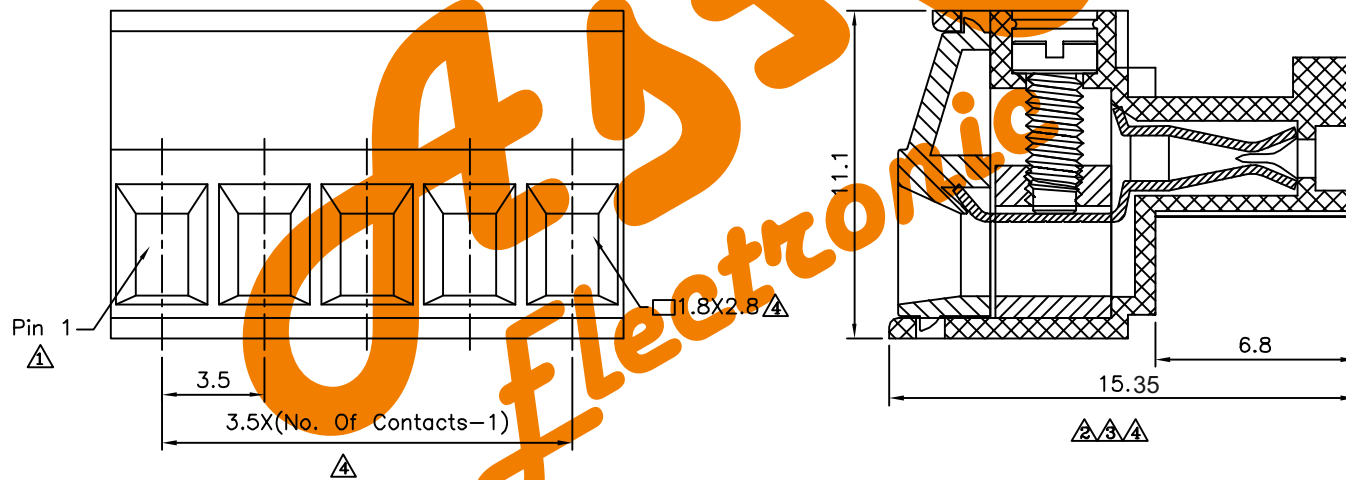


△ SPECIFICATION

Voltage Rating:300V AC
 Current Rating:12 Amps/Way Max.
 Contact Resistance:20 Milliohms Max.
 Withstanding Voltage:2500V AC(1 Minute) Test
 Time=60 Sec/1 PCS
 Wire Range:16~24 AWG
 Torque:2.5 Kgf.cm/M2
 Operation Temperature:-40°C~+105°C
 Soldering Reliability:
 Test Temperature=250°C±10°C/5 Seconds Max.

△ Contact(Metal Housing):Copper Alloy,Nickel Plated
 Terminal Screw:Steel,Galvanized With Cr3+ Plated
 Wire Guard:Copper Alloy,Tin Plated
 △ Insulator Body(Housing):Polyamide(UL94V-0),Green
 RoHS Compliant

WWW.ASA-Elec.com



ASA Electronic



WWW.ASA-Elec.com

AsA Electronic Co.

واتس آپ: 09396994470

Tel : (+98) 21 66 73 56 82 Mob : (+98) 912 03 161 02

DRAWING No.		APPROVED BY		UNLESS OTHERWISE SPECIFIED TOLERANCES ARE X. ±0.50 .X ±0.30 .XX ±0.20 ANG. ±1°	△ A4	Modify Data	HZF	10/24/2014
19840		EMILY			△ A3	Modify Data	HZF	08/28/2012
		CHECKED BY			△ A2	Modify Data	HZF	05/17/2012
SCALE NONE		DRAWING BY		△ A1	Modify Data	HZF	11/22/2011	
		CYP		△ A0	NEW RELEASE	HZF	04/09/2009	
REV.	A4	UNIT	mm	NO.REV.	REVISIONS	CHK	DATE	